



罐阀 2.0 技术

2.0 TECHNOLOGY FOR TANK VALVE

专利产品: 全新专利产品, 连体式速流球阀流量比蝶阀高出40%, 阀体底部切平, 残留货物减少90%, 特别适用于易结晶货物。主密封板两片式, 轻松更换密封圈。特殊铸造成型, 总体长度和蝶阀一样, 位于罐体框架内, 符合IMDG规范, 安全性能大幅提高。内密封压板打开角增大15°, 流量更大。外置弹簧, 便于清洗更换。可选装对称式双弹簧, 适用压力更高。

Patented Product: Uni-ball Foot Valve, with full core of ball, the flow is 30% higher than butterfly valve. Nearly nothing left inside after discharge with flat bottom especially for crystalline goods. The main sealing O-ring is easy to be replaced by 2 pieces plates, as easy-clean butterfly valve, within the frame of the container as safety as required by IMDG. Spring is outside to be replaced very easy. For higher pressure, we can offer you double spring on both sides.

连体式速流球阀

UNIVALVE

基本配置 Basic Details

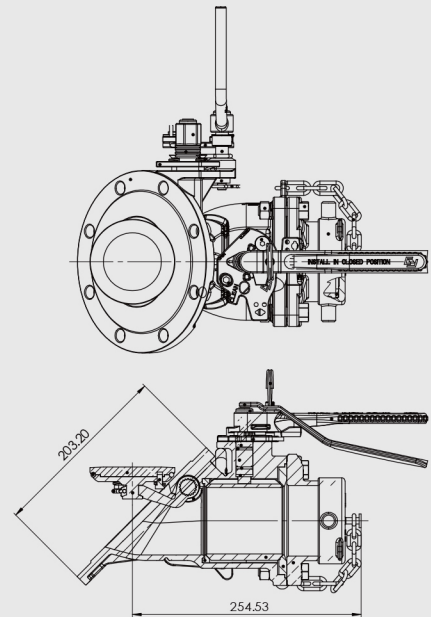
3" 45° 连体式速流球阀 — 入口为 8 x Φ 14mm, 178mm PCD 法兰等分通孔; 二级关闭采用 3" 球阀, 3" BSP 出口。接触货物的零件采用 316 不锈钢制造, 阀板配备标准的夹层密封圈。另有可选项: 30°、90° 和 180° 提升式脚阀; 蒸汽加热。我们也提供 4-8" 的产品。同时提供耐腐蚀性更优越的哈氏合金阀。

3" 45° Uni-ball Foot Valve, inlet flange drilled 8 x 14mm holes equi-spaced on a 178mm PCD. Footvalve body incorporates integral 3" butterfly valve terminating with 3" BSP outlet and stainless steel blank cap. Manufactured in 316 stainless steel with combined main seal to footvalve and PTFE main seal to butterfly valve and cap. Footvalve may be manufactured in other metals. Full range of 30°, 90° and 180° highlift footvalves. Steam heated option. Available with integral Hastelloy seat area. A range of bolt kits and outlet gaskets are available. We also make 4-8" footvalves.

规格 Specification

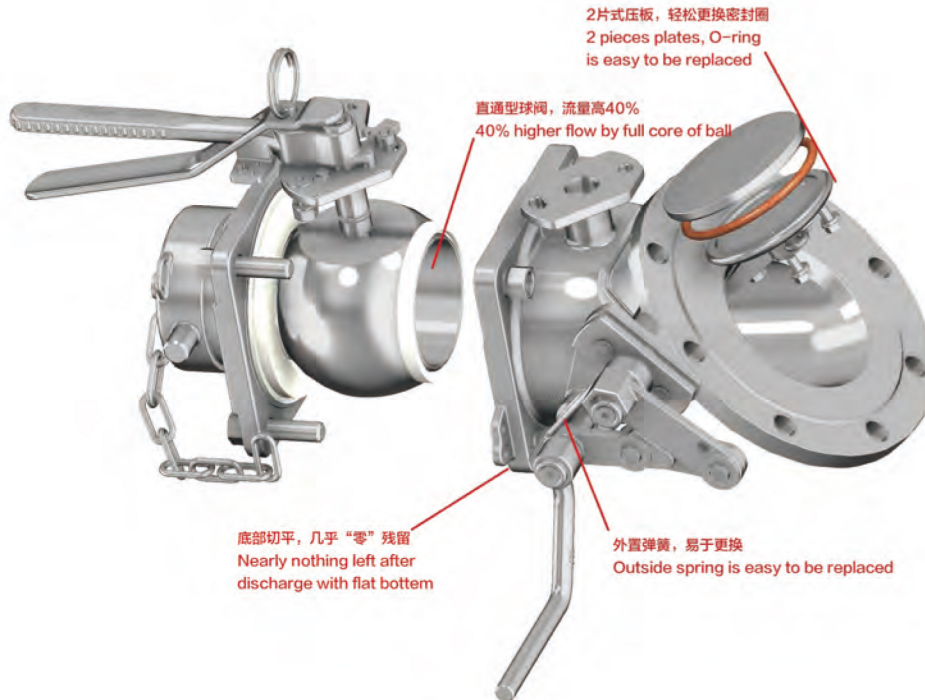
重量	Weight	12.2 KG
设计压力	Design Pressure (MAWP)	4 Bar (58PSI)
测试压力	Test Pressure	6 Bar (87 PSI)
设计温度	Design Temperature	-55°C to 200°C (-67°F to 392°F)

FITTING DIMENSION



Example shown : 806-4000A

1 标准配置 Basic configuration



为了确保罐体在出现事故时保持密封，我们在阀体上增加了一个剪力槽；这样，当阀门受损时将在剪槽处断裂，而阀板及法兰仍然附着于罐体并保持密封。

To ensure that the tank remains sealed in the event of an accident, the valve body incorporates a shear groove, designed to fail in such a way as to leave the internal part of the valve closed and attached to the tank body. To ensure that the tank remains sealed in the event of an accident, the valve body incorporates a shear groove, designed to fail in such a way as to leave the internal part of the valve closed and attached to the tank body.

选装部件

OPTIONAL COMPONENTS

罐阀 2.0 技术
2.0 TECHNOLOGY FOR TANK VALVE

3" 快接式出口法兰及配套防尘盖806-4020A; 3" BSTD/3" ASA150/DIN80 PN40法兰式出口可 选806-4010A; 接触货物部分采用哈氏合金材质可选806-4000AHS;	Available with Hastelloy sealing area to Footvalve. Flanged/Camlock outlet version (drilled 3" BSTD/3" ASA150/DIN80 PN40);
罐体法兰连接螺栓包324-2070;	3 Bolt kit for flange;
8孔CNAF/PTFE 复合垫片5005-015;	Gasket for inlet;
常用罐体8孔法兰324-9000	Welding flange for tank

防尘盖

DUST CAPS

除以下列出的防尘盖外我们也提供一系列不锈钢检查盖，操作人员可通过其观察是否存在压力。

A range of stainless steel check caps is also available. These comprise a cap with an indicator which allows the operator to check if there is any residual pressure. The part numbers have a 'CK' suffix instead of the 'PS'.



BSP 不锈钢

BSP - Stainless Steel

说明 Description	零件号 Part No.
1/2" BSP不锈钢盖, 带线和PTFE垫圈	10316PS
3/4" BSP不锈钢盖, 带链和PTFE垫圈	10306PS
1" BSP不锈钢盖, 带链和PTFE垫圈	10305PS
1 1/2" BSP不锈钢盖, 带链和PTFE垫圈	10300PS
2" BSP不锈钢盖, 带链和PTFE垫圈	10301PS
2 1/2" BSP不锈钢盖, 带线和PTFE垫圈	10302PS
3" BSP不锈钢盖, 带链和PTFE垫圈	10303PS
4" BSP不锈钢盖, 带线和PTFE垫圈	10304PSC

BSP - 铝

BSP - Aluminium

说明 Description	零件号 Part No.
3/4" BSP铝盖, 带链和皮垫圈	10706AL
1" BSP铝盖, 带链和皮垫圈	10707AL
1 1/2" BSP铝盖, 带链和皮垫圈	10708AL
2" BSP铝盖, 带链和皮垫圈	10709AL
2 1/2" BSP铝盖, 带链和皮垫圈	10710AL
3" BSP铝盖, 带链和皮垫圈	10711AL

NPT

说明 Description	零件号 Part No.
1 1/2" NPT不锈钢盖, 带链和Teflon垫圈	10300NPTP
2" NPT不锈钢盖, 带链和Teflon垫圈	10301NPTP
3" NPT不锈钢盖, 带链和Teflon垫圈	425-3240
3" NPT铝盖, 带黄铜链和皮垫圈	10711NPT

垫圈

Washers

说明 Description	零件号 皮质 Part No. LEATHER	零件号 PTFE Part No. PTFE
1/2" 垫圈	-	10335P
3/4" 垫圈	10331L	10331P
1" 垫圈	10319L	10319P
1 1/2" 垫圈	10326L	10326P
2" 垫圈	10327L	10327P
2 1/2" 垫圈	10328L	10328P
3" 垫圈	10329L	10329P

如果以上内容未列出您需要的尺寸或材料, 请联系我们的销售团队。

Please contact our Sales team if the size or material you require is not listed here.

保险盒

FUSE LINK



保险盒在发生火灾时会实现脚阀（主阀门）自动切断。本设备包含设计温度为 100°C (212°F) 的易熔断片，其连接到遥控切断拉绳上。能便捷的安装到集装罐框架上，适用于所有集装罐及不同种类的脚阀。符合 U.S.DOT CFR49–ch.178275[d]

Fuse link effects the automatic closure of the footvalve (primary valve) in case of fire. The device incorporates a fusible element designed to operate at 100°C (212°F) and is linked to the remote closure cable. Quick and easy to fit on the container tank frame and compatible with all tank designs and with most footvalves on the market. Complies with U.S. DOT CFR49 – ch.178275 [d].

规格 Specification

重量	Weight	0.5 KG
设计温度	Operating Temperature	100°C (212°F)

相关零件

Associated Parts

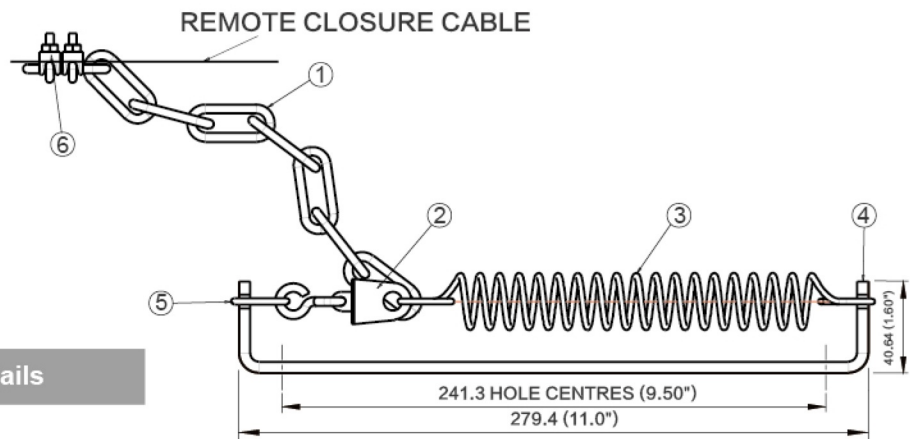
零件号 Part No.	说明	Description
6110-022	25mm 7X7线-6.5米长	2.5mm 7x7 strand st/st wire – 6.5 metre length
324-5341	线夹	Wire clamp
5104-203	遥控切断装置张力弹簧	Remote closure tension spring
324-7610	脚阀手柄遥控操纵杆	Footvalve handle remote operating lever

零件图

Parts drawing

零件号 Part NO. : 324-5760

序号 Item	说明	Description	零件号 Part No.
1	不锈钢链（9节链）	Stainless steel chain (9 links)	6128-016
2	100°C熔断片	100°C fusible element	324-5616
3	张力弹簧	Tension spring	252-3272
4	遥控切断装置支架	Remote closure bracket	324-5765
5	不锈钢环	Solid ring	613-6150
6	线夹（每组2只）	Wire clamp (2 per assembly)	324-5341



设置明细

Setting details

1. 将支架用MG螺钉固定在集装罐框架上。
2. 使用线夹将遥控切断拉绳固定到链条上，确保当阀处于打开位置时，链条的松弛度最低。

1. Drill & tap tank frame m6 at centres quoted clamp remote closure wire to chain using cable connectors.
2. Ensure that there is minimum amount of slack on the chain when the valve is in the open position.